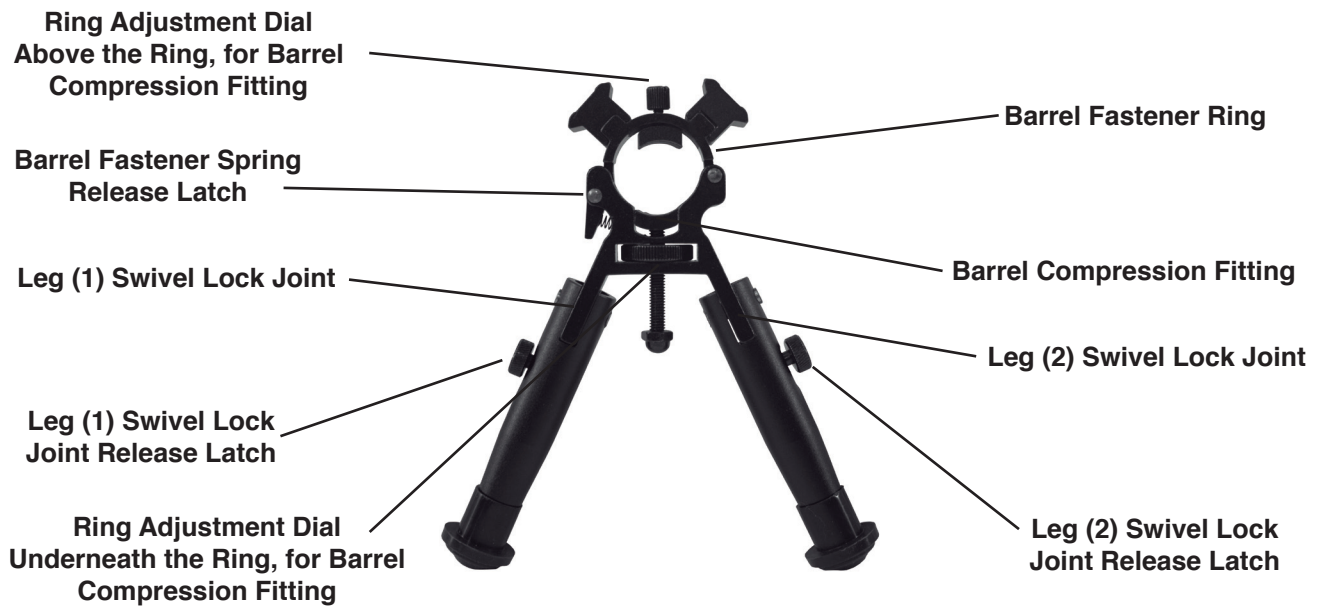


## GAMO® BI-POD PARTS & FUNCTIONS



## GAMO® BI-POD INSTALLATION & OPERATION INSTRUCTIONS

